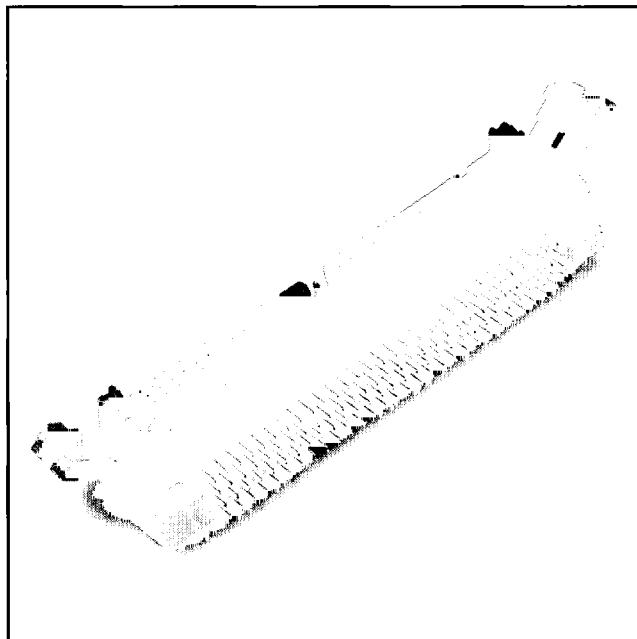


.100" x .100" "Condo" Header

Right Angle, 4 Wall/4 Wall, High Temp



- Stacked pins conserve space on the circuit board allowing higher density packaging
- Pin count to 128 gives design flexibility with latching
- "HDI" alternative
- Accepts standard IDC sockets
- Mates with standard flat cable harnesses
- High temperature

89

TS-0493-04
Sheet 1 of 3

Physical

Insulation

Material: Glass Filled Polyester (PBT)
Flammability: UL 94V-0
Color: Beige

Contact

Material: Phosphor Bronze (C510)
Plating
Underplate: 100 μ " [2.54 μ m] Nickel — QQ-N-290, Class 2
Wiping Area: 30 μ " [0.76 μ m] Gold — MIL-G-45204, Type II, Grade C
Solder Tails: 200 μ " [5.08 μ m] 60/40 Tin Lead — MIL-P-81728
Marking: 3M Logo, Part Identification Number and Orientation Triangle

Electrical

Current Rating: 1 A
Insulation Resistance: $>1 \times 10^9 \Omega$ at 500 Vdc
Withstanding Voltage: 1000 Vrms at Sea Level

Environmental

Temperature Rating: -55°C to $+105^\circ\text{C}$
Processing: Maximum 235°C , with 90 seconds over 215°C

UL File No.: E68080
CSA File No.: LR 89866

3M Electronic Products Division

6801 River Place Blvd.
Austin, TX 78726-9000

.100" x .100" "Condo" Header

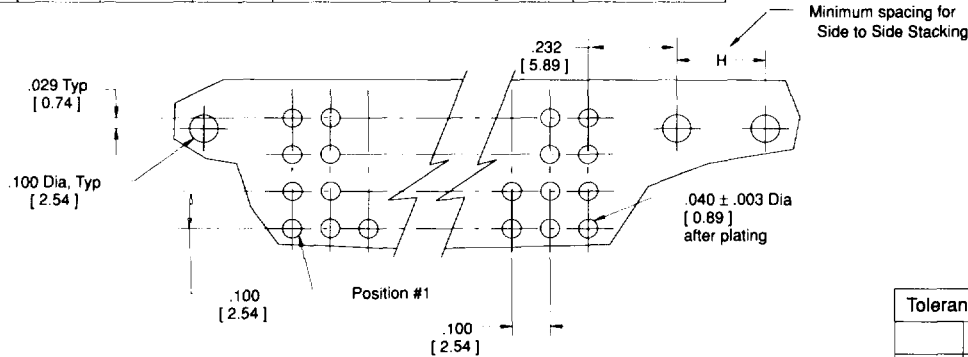
Right Angle, 4 Wall/4 Wall, High Temp

Sheet 2 of 3

Pin Qty	3M Part Number	Dimensions					Polarization Notches Provided
		A	B	C	D	H	
20	3446-L00X	1.26 [32.0]	.71 [18.0]	.86 [21.8]	2.00 [50.8]	.44 [11.2]	C
	-L20X				2.18 [55.4]	1.14 [29.0]	
	-L30X				1.32 [33.5]	1.14 [29.0]	
20	3662-L00X	1.26 [32.0]	.71 [18.0]	.86 [21.8]	2.00 [50.8]	.44 [11.2]	B
	-L20X				2.18 [55.4]	1.14 [29.0]	
	-L30X				1.32 [33.5]	1.14 [29.0]	
28	3314-L00X	1.46 [37.1]	.91 [23.1]	1.06 [26.9]	2.20 [55.9]	.44 [11.2]	B C
	-L20X				2.38 [60.5]	1.14 [29.0]	
	-L30X				1.32 [33.5]	1.14 [29.0]	
32	3408-L00X	1.56 [39.6]	1.01 [25.7]	1.16 [29.5]	2.30 [58.4]	.44 [11.2]	A B C
	-L20X				2.48 [63.0]	1.14 [29.0]	
	-L30X				1.32 [33.5]	1.14 [29.0]	
40	3428-L00X	1.76 [44.7]	1.21 [30.7]	1.36 [34.5]	2.50 [63.5]	.44 [11.2]	A B C
	-L20X				2.68 [68.1]	1.14 [29.0]	
	-L30X				1.32 [33.5]	1.14 [29.0]	
48	3627-L00X	1.96 [49.8]	1.41 [35.8]	1.56 [39.6]	2.50 [63.5]	.44 [11.2]	A B C
	-L20X				2.68 [68.1]	1.14 [29.0]	
	-L30X				1.32 [33.5]	1.14 [29.0]	
52	3429-L00X	2.06 [52.3]	1.51 [38.4]	1.66 [42.2]	2.80 [71.1]	.44 [11.2]	A B C
	-L20X				2.98 [75.7]	1.14 [29.0]	
	-L30X				1.32 [33.5]	1.14 [29.0]	
60	3440-L00X	2.26 [57.4]	1.71 [43.4]	1.86 [47.2]	3.00 [76.2]	.44 [11.2]	A B C
	-L20X				3.18 [80.8]	1.14 [29.0]	
	-L30X				1.32 [33.5]	1.14 [29.0]	
68	3431-L00X	2.46 [62.5]	1.91 [48.5]	2.06 [52.3]	3.20 [81.3]	.44 [11.2]	A B C
	-L20X				3.38 [85.9]	1.14 [29.0]	
	-L30X				1.32 [33.5]	1.14 [29.0]	
80	3432-L00X	2.76 [70.1]	2.21 [56.1]	2.36 [59.9]	3.50 [88.9]	.44 [11.2]	A B C
	-L20X				3.68 [93.5]	1.14 [29.0]	
	-L30X				1.32 [33.5]	1.14 [29.0]	
100	3433-L00X	3.26 [82.8]	2.71 [68.8]	2.86 [72.6]	4.00 [101.6]	.44 [11.2]	A B C
	-L20X				4.18 [106.2]	1.14 [29.0]	
	-L30X				1.32 [33.5]	1.14 [29.0]	
120	3372-L00X	3.76 [95.5]	3.21 [81.5]	3.36 [85.3]	4.50 [114.3]	.44 [11.2]	A B C
	-L20X				4.68 [118.9]	1.14 [29.0]	
	-L30X				1.32 [33.5]	1.14 [29.0]	
128	3764-L00X	3.96 [100.7]	3.41 [86.6]	3.57 [90.6]	4.70 [119.4]	.44 [11.2]	A B C
	-L20X				4.88 [124.0]	1.14 [29.0]	
	-L30X				1.32 [33.5]	1.14 [29.0]	

3M PART NO. SUFFIX	CONTACT TAIL	DIM. E
-LX02	2	.112 ± .010 [2.84]
-LX03*	3	.155 ± .010 [3.94]

TS-0493-04



Inch
[mm]

Tolerance Unless Noted		
	.0	.00
Inch	± .1	± .01
		± .005

Notes:

- Notches A & C will accommodate 3M Polarizing Keys (3M Part Number N3518).

[] Dimensions for Reference Only

Ordering Information

N XXXX-LX0X

3M Part Number

- Ejector/Latch System
- 0 = No Ejector Latch
 - 2 = Short Ejector/Latch (When Non-strain Relief Socket is used)
 - 3 = Long Ejector/Latch (When Socket with Strain Relief is used)

Contact Tail

- 2 = Solder Tails for .062 [1.57] Thick Board.
- 3 = Solder Tails for .094 to .125 [2.39 to 3.18] Thick Board.
- *(Standard Product)

3M Electronic Products Division

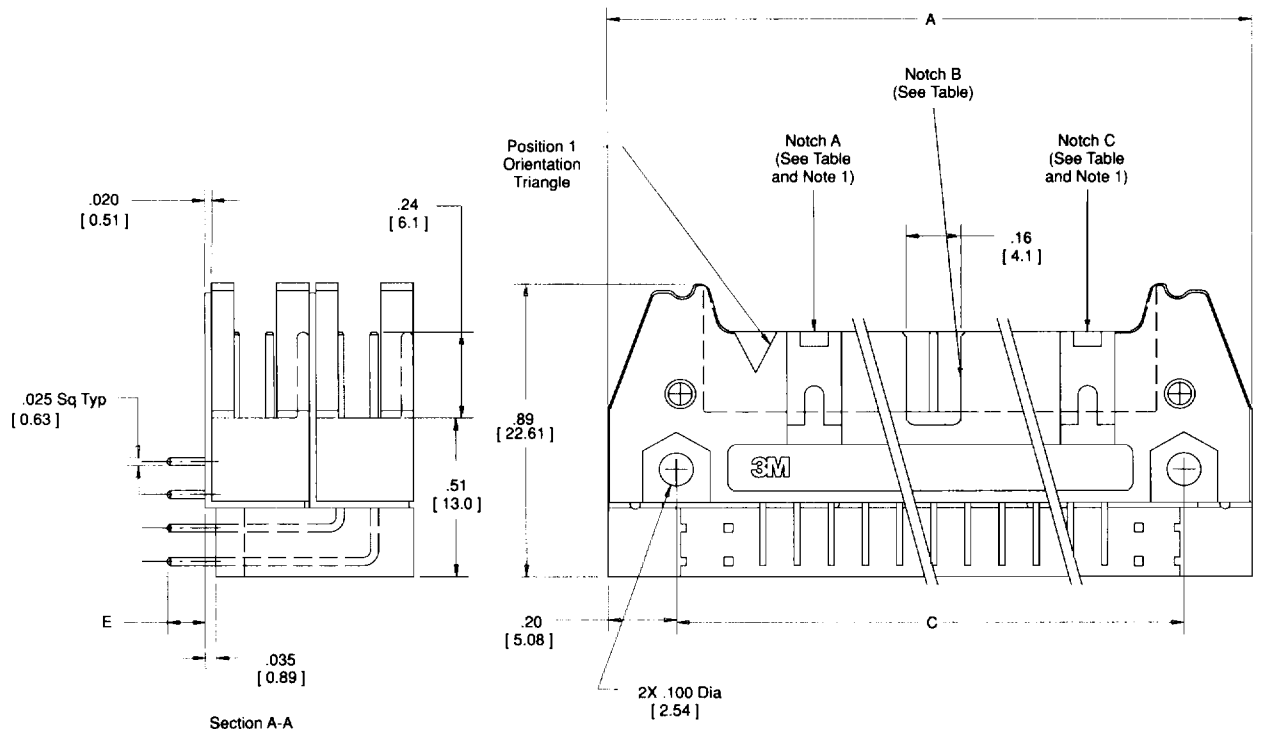
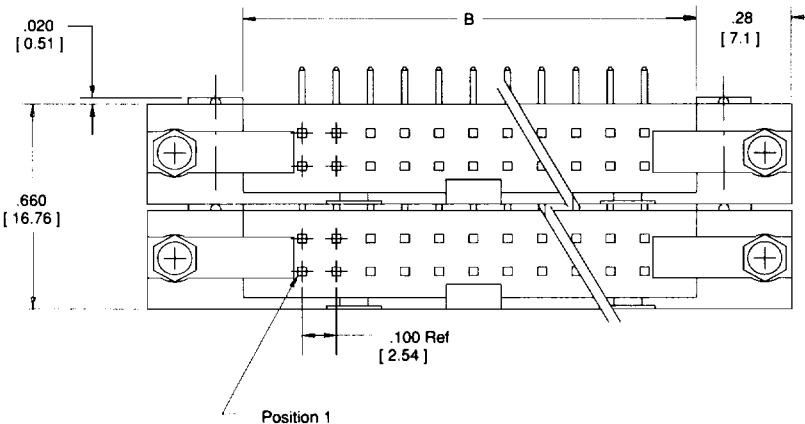
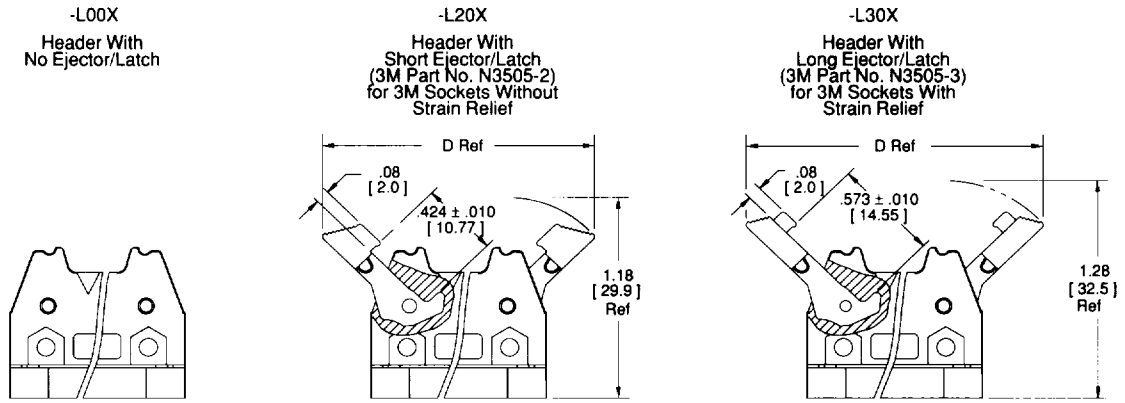
6801 River Place Blvd.
Austin, TX 78726-9000

.100" x .100" "Condo" Header

Right Angle, 4 Wall/4 Wall, High Temp

Sheet 3 of 3

TS-0493-04



3M Electronic Products Division

6801 River Place Blvd.
Austin, TX 78726-9000